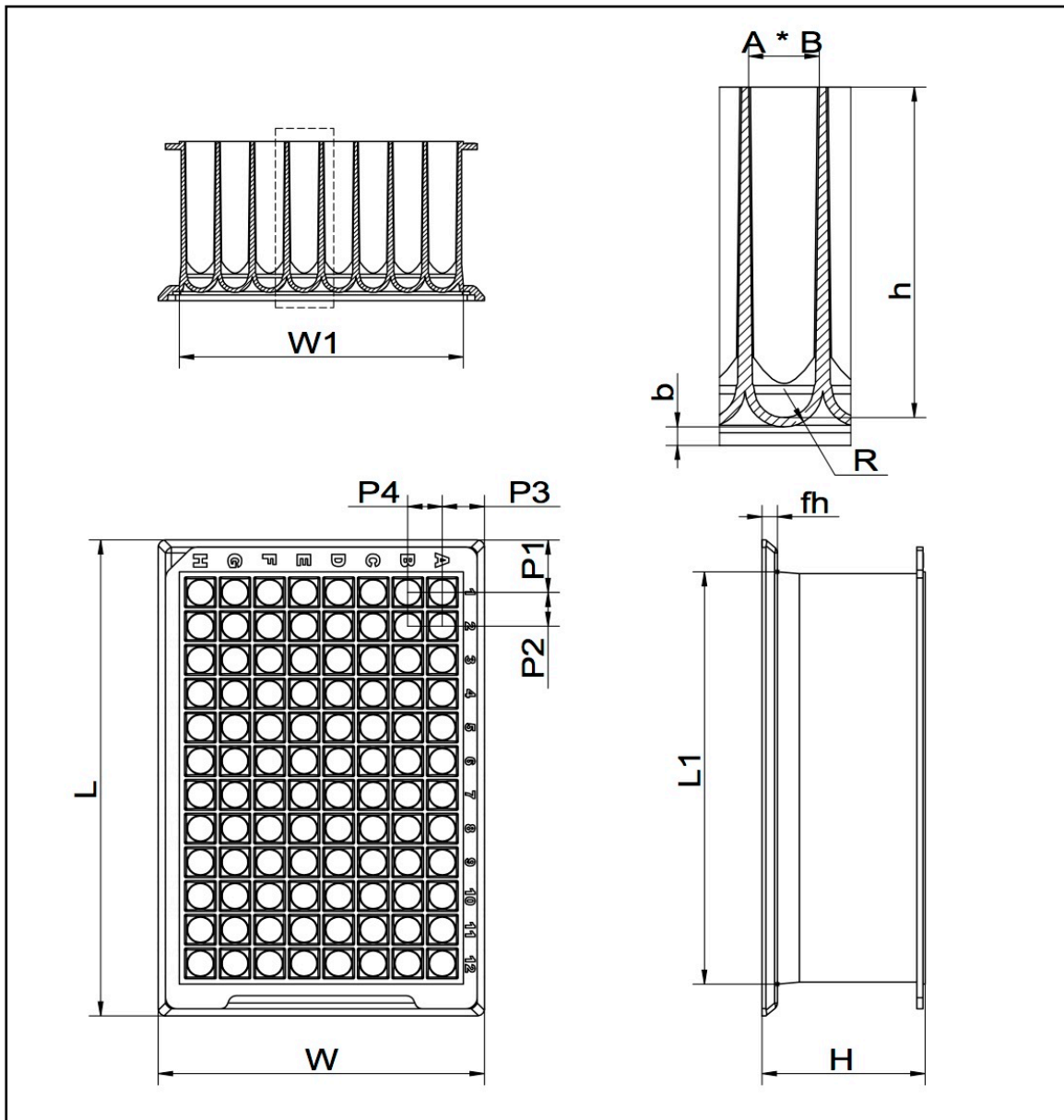


Technical data sheet

技术参数

96 Square Deep Well Plate (2.2mL, profile concave)

96 工字型方孔深孔板 (2.2mL, 凹陷裙边)



| Plate type 板种类 | Plate dimension 板尺寸[mm] | | | | | | Well dimension 孔尺寸[mm] | |
|-------------------|-------------------------|-------------|--------------------------------|-------|--------------|------|---------------------------|-------------------|
| | Length 长度 | | Width 宽度 | | Height 高度 | | Depth 深度 | Edge length 边长 |
| | L | L1 | W | W1 | H | fh | h | A/B |
| P-2.2ML-SQG-96 | 127.00 | 110.00 | 85.00 | 74.00 | 41.90 | 4.00 | 38.60 | 2.20 |
| Plate type 板种类 | Bottom底部[mm] | | Position of well center孔位置[mm] | | | | Theoretical Weight[g] | |
| | radius 半径 | Space 空间 | | | | | | |
| | R | b | P1 | P2 | P3 | P4 | | |
| P-2.2ML-SQG-96 | 4.50 | 2.20 | 14.00 | 9.00 | 11.00 | 9.00 | 90.70 | |

Contact : 86-571-86358706

info@a-gen.com www.a-gen.com