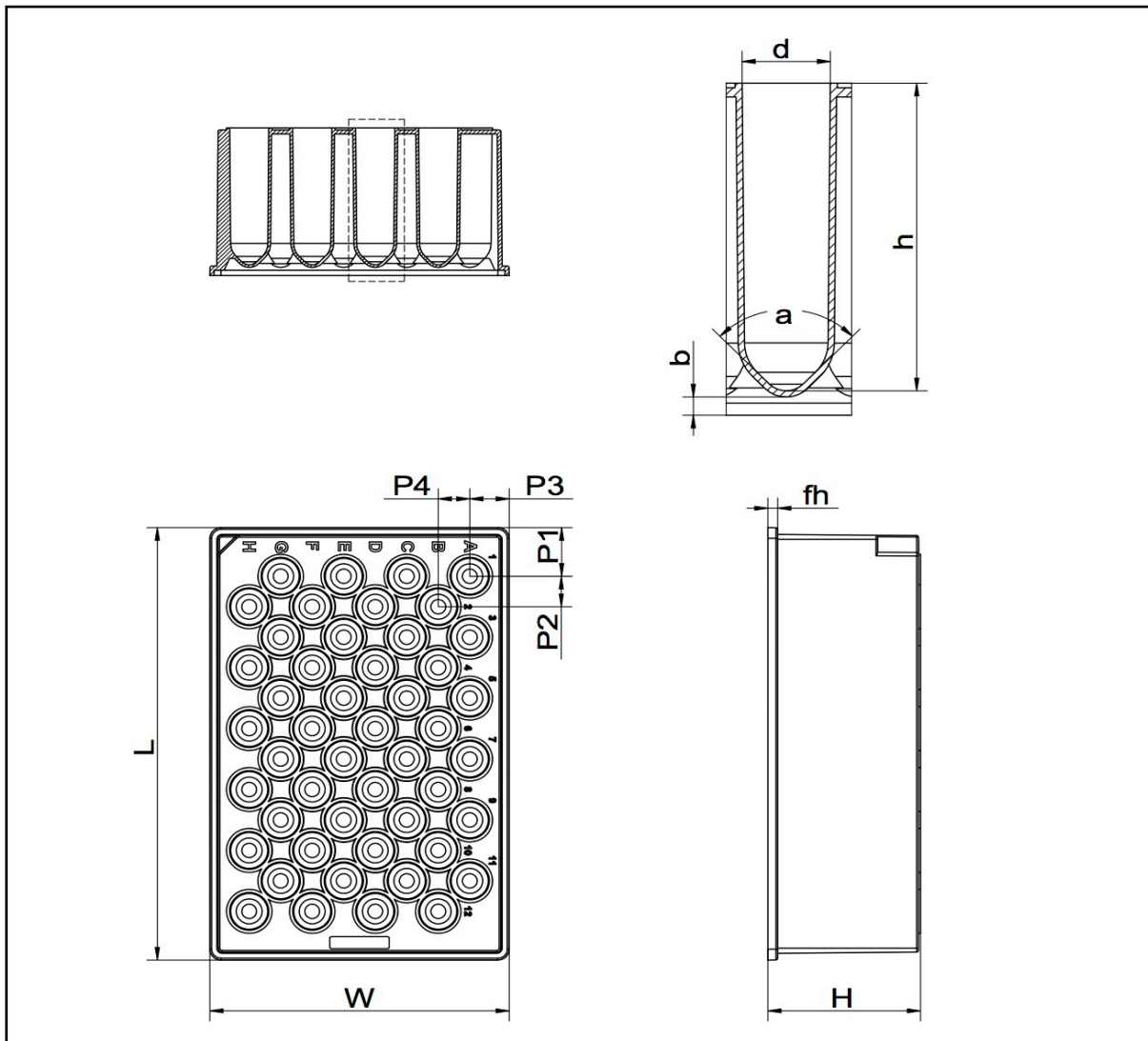


Technical data sheet

技术参数

48 Well Round Deep Well Plate 3.5mL

48 圆孔深孔板 3.5mL



| Plate type 板种类 | Plate dimension 板尺寸[mm] | | | Well dimension 孔尺寸[mm] | | | |
|-------------------|-------------------------|-----------------|---------------------------------|------------------------|-------------|----------------|-----------------------|
| | Length 长度 | Width 宽度 | Height 高度 | | Depth 深度 | Diameter 直径 | |
| | L | W | H | fh | h | d | |
| P-3.5ML-RD-48 | 127.76 | 85.48 | 43.60 | 2.80 | 40.40 | 11.20 | |
| Plate type 板种类 | Bottom 底部 | | Position of well center 孔位置[mm] | | | | Theoretical Weight[g] |
| | Angle 半径[°] | Space 空间[mm] | | | | | |
| | a | b | P1 | P2 | P3 | P4 | |
| P-3.5ML-RD-48 | 90.00 | 2.40 | 14.38 | 9.00 | 11.24 | 9.00 | 77.00 |